



SCHAEFF

A **YANMAR** BRAND

COMPACT WHEEL LOADER



Specifications

Operating weight	7000 kg
Engine power	74.4 kW (101 HP)
Bucket capacity	1.2-1.8 m ³
Tipping load, straight	5000 kg
Tipping load, articulated	4400 kg

Features

- ▶ Maximum visibility from the cab
- ▶ Top-class quick-attach system
- ▶ Excellent parallel kinematics
- ▶ 2 doors
- ▶ Comfort cab with comfort steering
- ▶ Easy-handling joystick with third and fourth control circuit in one hand
- ▶ Terex Smart Control (TSC)
- ▶ Excellent service access
- ▶ Central pivot with floating axle, the same as on larger wheel loaders
- ▶ Automatic self-locking differentials in both axles

TL120

SPECIFICATIONS

ENGINE

Manufacturer, model	Deutz, TCD3.6 L4
Type	4-cylinder turbo diesel engine with intercooler, EU Stage IV / Tier 4 Final
Combustion	4-stroke cycle, Common Rail injection
Displacement	3600 cm ³
Net power rating at 2200 rpm (ISO 9249)	74.4 kW (101 hp)
Cooling system	Water

ELECTRICAL SYSTEM

Nominal voltage	12 V
Lighting system in compliance with German and European standards	

POWER TRANSMISSION

Hydrostatic drive, closed circuit, independent from loader hydraulics. Perfected driving automatics, automatic adjustment of drawbar pull and speed. Hydraulic motor power shift providing two speed ranges. Infinitely variable speed control forward and reverse. 4-wheel drive from reduction gear on rear axle via cardan shaft to front axle. Brake inching pedal.

2 speed ranges:	
"Low"	0-6 kph
"High"	0-20 kph
4 speed ranges (high-speed version optional):	
"Low"	0-6 / 0-19 kph
"High"	0-11 / 0-36 kph

AXLES

Front: Rigid planetary final drive axle, center-mounted drum brake. Limited slip-type differential 45%.

Rear: Oscillating (with cushioning) planetary final drive axle, with integrated reduction gear. Limited slip-type differential 45%.

Angle of oscillation	±8°
----------------------	-----

TIRES

Standard	405/70 R 20 SPT 9 Dunlop
----------	--------------------------

BRAKES

Service brake:	Hydraulically actuated center-mounted drum brake, acting on all 4 wheels via 4-wheel drive.
Auxiliary brake:	Hydrostatic through closed-circuit travel drive.
Parking brake:	Mechanically actuated center-mounted drum brake on front axle.

STEERING

Articulated, 2 steering cylinders with final positioning damping on both sides, fully hydraulic through Load-Sensing priority valve, quick and easy steering even at engine idle-running speed.

Total steering angle	80°
----------------------	-----

FLUID CAPACITIES

Fuel tank	110 l
Ad Blue tank	10 l
Hydraulic system (incl. tank)	93 l

OPERATING DATA, STANDARD EQUIPMENT

Operating weight (ISO 6016)	7000 kg
Tipping load, straight at full reach (ISO 14397-1)	5000 kg
Tipping load, articulated at full reach (ISO 14397-1)	4400 kg
Total length, bucket on ground	5480 mm
Total width	2100 mm
Turning radius at outside bucket edge	4680 mm
Wheelbase	2290 mm
Total height (top of cab)	2780 mm



HYDRAULIC SYSTEM

Pump capacity	78 l/min
Working pressure	250 bar
Control unit: Proportional hydraulic valve with 3 control circuits, supplying work functions "Lift / Lower", "Dump / Tilt-back with high-speed control" and "3rd control circuit (1st additional control circuit)". Simultaneous, independent control of all movements.	

Hydraulic cylinders: 1 lifting cylinder, 1 tilt cylinder, all dual-action
The thermostatically controlled oil circuit ensures that the oil temperature is promptly reached and avoids overheating. Return filter installed in hydraulic tank allows for eco-friendly replacement of filter elements.

Terex „Fingertip“ control for 3rd control circuit, electro-proportional, oil flow limitation via machine function display, continuous operation. Installation on loader frame incl. couplings.

Hydraulically switchable float position by overdriving the pressure point "Lower" on the joystick, electrically switchable continuous operation function.

Single, four-way control lever (joystick) with integrated direction-of-travel switch and switch for additional control circuit.

LOADER FRAME

Loader installation featuring true parallel linkage and integrated mechanical (optionally hydraulic) quick-attach system.	
General-purpose bucket (ISO 7546)	1.20 m ³
Lift capacity at ground level (ISO 14397-2)	71,000 N
Breakout force at bucket edge (ISO 14397-2)	59,000 N

FORK LIFT ATTACHMENT

Operating load over the total lift and steering range	2900 (3100*) kg
Operating load in transport position, approx. 300 mm above ground level, total steering range	3500 kg
Width of fork carrier	1240 mm
Length pallet forks (140x50 mm)	1120 mm
Stability factor	1.25

Operating load determined on level ground = 80 % of tipping load, articulated

CAB

Rubber-mounted full-vision steel cab, ROPS (EN ISO 3471) and FOPS** (EN ISO 3449) certified.
Cab featuring two doors, electric windshield intermittent wipers and washer (front and rear), tinted panoramic safety glass, sliding window on left-hand side.

Driver's seat MSG85 (standard version) with hydraulic cushioning and lap belt, weight-adjustable, in compliance with ISO 7096 and ISO 6683.

Cab heating with 3-speed heater fan (choice fresh air/recirculating air) and windshield defroster, front and rear.

Air conditioning and radio pre-installation.
Steering wheel with height and tilt adjustment.

2 working floodlights, front.
Sound power level L_{WA}

Sound pressure level L_{PA}

Sound level values measured in compliance with Directive 2000/14/EC and EN474.

Effective values of acceleration for whole body

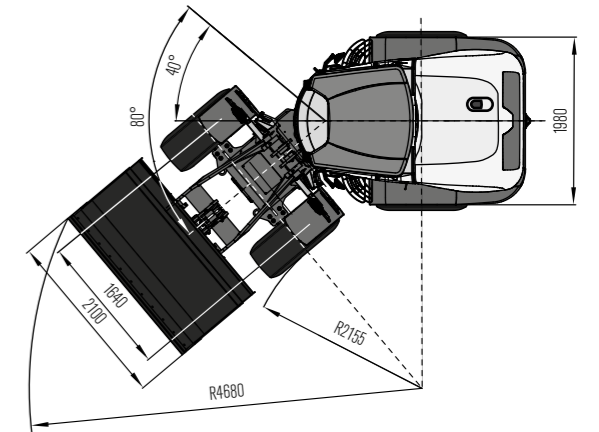
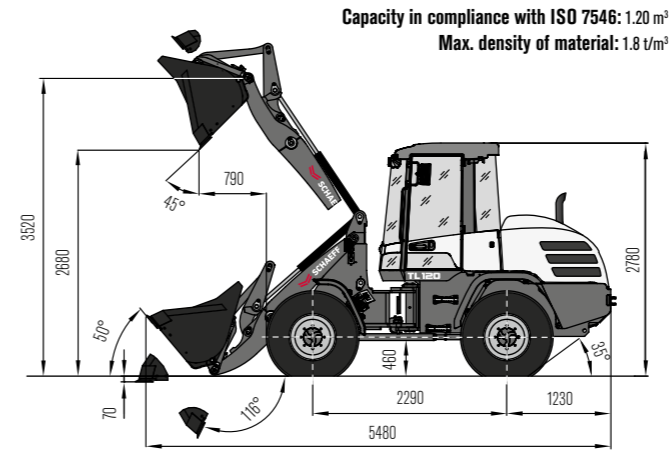
Effective values of acceleration for hand-arm

Vibration values in compliance with Directive 2006/42/EC and EN474.

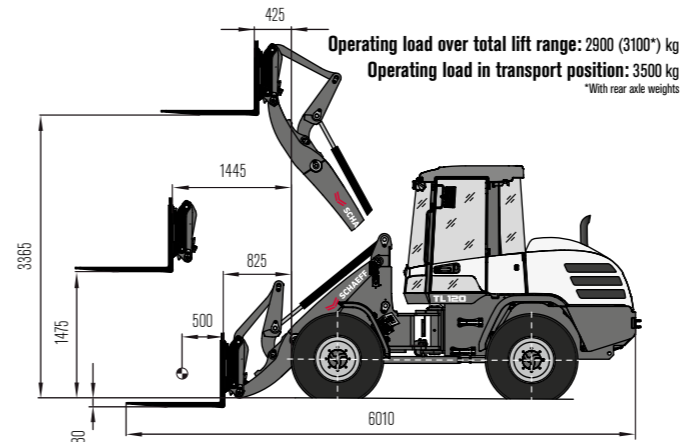
*With rear axle weights

**FOPS-approved only with skylight guard (optional)

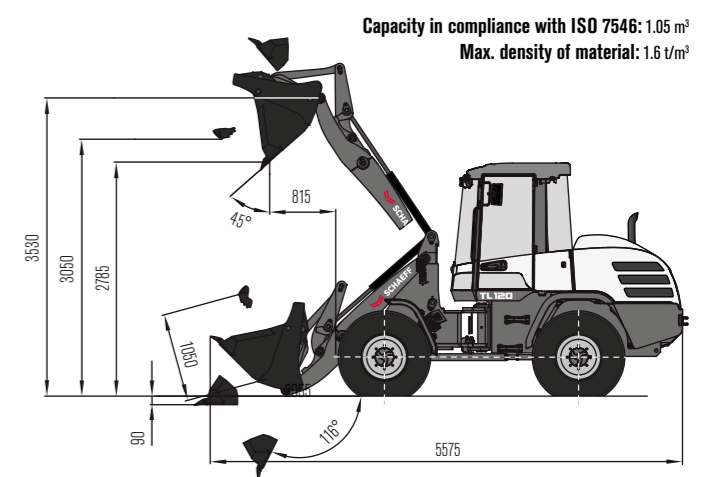
DIMENSIONS: GENERAL-PURPOSE BUCKET



FORK LIFT ATTACHMENT



MULTI-PURPOSE BUCKET



BUCKET TYPE

	Contents	Density	Width	Dump height
General-purpose bucket, quick-attach system (QAS), teeth	1.20 m ³	1.8 t/m ³	2100 mm	2750 mm
General-purpose bucket, QAS, bolt-on cutting edge	1.20 m ³	1.8 t/m ³	2100 mm	2710 mm
Earth bucket, QAS, teeth	1.35 m ³	1.6 t/m ³	2100 mm	2700 mm
Earth bucket, QAS, bolt-on cutting edge	1.35 m ³	1.6 t/m ³	2100 mm	2660 mm
Light-material bucket, bolt-on cutting edge	1.55 m ³	1.2 t/m ³	2100mm	2610 mm
Light-material bucket, bolt-on cutting edge	1.80 m ³	0.8 t/m ³	2200 mm	2550 mm
Multi-purpose bucket, QAS	1.05 m ³	1.6 t/m ³	2100 mm	2785 mm
Side-dump bucket, QAS, without teeth	0.85 m ³	1.8 t/m ³	2100 mm	2665 mm
High-tip bucket, QAS, without teeth	1.20 m ³	1.2 t/m ³	2100 mm	3970 mm
High-tip bucket, QAS, without teeth	1.80 m ³	0.6 t/m ³	2200 mm	4030 mm
Quarry bucket, QAS	0.95 m ³	2.15 t/m ³	2100 mm	2780 mm
Compost bucket	1.20 m ³	1.2 t/m ³	2100 mm	2750 mm

EXAMPLES OF MATERIAL DENSITIES

Granite, basalt, sand (damp), gravel (damp), slate:	1.8 - 2.2 t/m ³	Topsoil, clay, mineral coal:	1.1 - 1.6 t/m ³
Sandstone, gypsum, limestone, soil (damp), sand (dry), gravel (dry):	1.5 - 1.8 t/m ³	Wood chips (dry), compost, coke:	0.2 - 1.0 t/m ³

OPTIONAL EQUIPMENT

TIRES

405/70 R 20 EM 01 Mitas	
400/70 R 20 IT530 Goodyear	
380/75 R 20 XZSL Michelin	
16/70-20 EM E 91-2 Dunlop	
420/75 R 20 XMCL Michelin	
405/70 R 20 MPT E-70 Conti	
Non-standard tires available on request	

FRONT ATTACHMENTS

General-purpose bucket*	1.20 m ³
Earth bucket*	1.35m ³
Light-material bucket*	1.55 m ³
Light-material bucket*	1.80 m ³
Side-dump bucket*	0.85 m ³
High-tip bucket*	1.20 m ³ / 1.80 m ³
Multi-purpose bucket*	1.05 m ³
Quarry bucket	0.95 m ³
Compost bucket	1.20 m ³
Front ripper with 4 prongs	
Fork lift attachment: Fork carrier, 1240 mm wide	
Forks, 1120 mm long, 140 mm wide, 50 mm high	
Load hook, attachable on fork arms	
Load hook, integrated in quick-attach system	
Crane jib with rigid arm	
Crane jib, telescopic (mechanical)	
Snow blade	
*optionally with bolt-on cutting edge	

DRIVER'S STAND

Operator's seat MSG 85 (comfort version), hydraulic damping, extra-high backrest, weight-adjustable, lap belt

Air-cushioned operator's seat MSG 95 (premium version) with orthopedic lumbar support, extra-high backrest, adjustable armrests, seat and backrest heating

HYDRAULIC SYSTEM

4th control circuit, Terex ‚Fingertip‘ control, (electro-proportional control) and installation on lift frame incl. couplings and continuous operation e.g. for attachments with 2 hydr. functions

4th control circuit, High-Flow, 116 l/min, 180 bar, (electro-proportional control) and installation on lift frame incl. couplings

4th control circuit, single-acting, Terex ‚Fingertip‘ control, (electro-proportional control) with pressureless return and installation at rear-end

Hydraulic outlet for front hand-held hammer, with flow divider

Open return, on lift frame

Ride control system

CAB

FOPS-skylight guard

Yellow beacon

Right-hand door with sliding window

Engine-independent diesel heater with timer

Working floodlight, rear

Air-conditioning

OTHER OPTIONAL EQUIPMENT

High-speed version 36 kph

Manual throttle, transmission deactivated

Filling with biodegradable hydraulic oil, ester-based, BIO-E-HYD-HEES

Anti-theft device (immobilizer)

Electrical tank refilling pump

Rear axle weights

Pilot-controlled hose-rupture valves for lift and tilt cylinders

Central lubrication system

Back-up alarm for reverse travel

Battery disconnecter

Further optional equipment available on request



SCHAEFF
A YANMAR BRAND

Yanmar Compact Germany GmbH
Kraftwerkstrasse 4
74564 Crailsheim, Germany

www.schaeff-yanmar.com